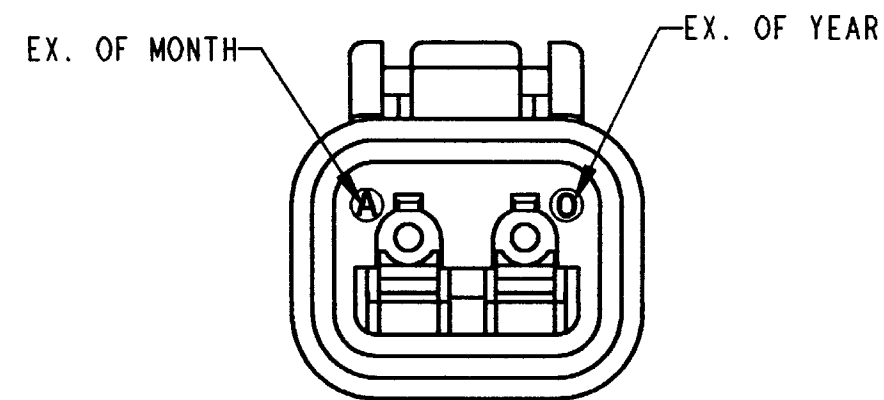
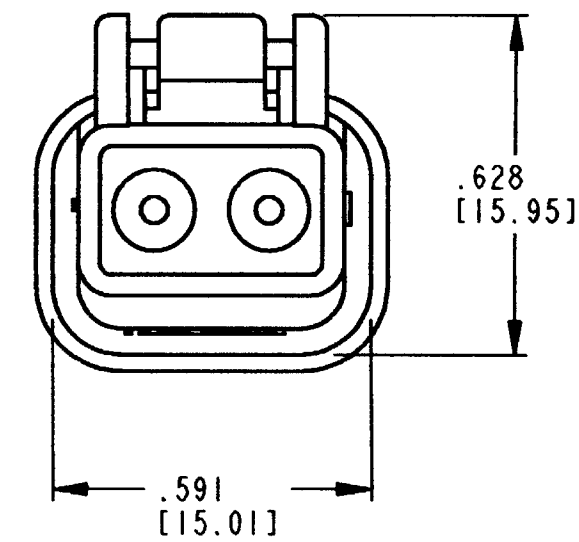
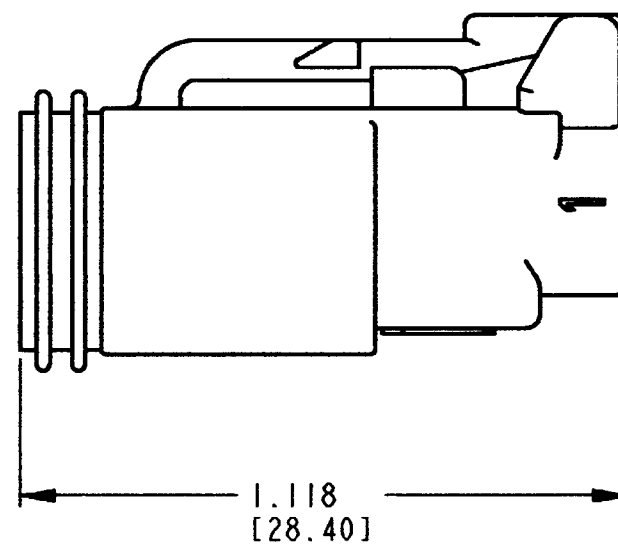


REV	DT06-2S-E004		
A			
REVISIONS			
SYM	DESCRIPTION	DATE	APPROVED
NC	NEW RELEASE PER E.O. A13781	3/19/92	J.A.
A	REVISED PER E.O. P19030	7-16-05	RDR



DATE LEGEND

YEAR TO BE REPRESENTED BY LAST NUMERICAL DIGIT, EX: 0=2000...
 MONTH USES SEQUENTIAL ALPHA CHARACTERS, EX: A=JANUARY



- 5. SHELL MATERIAL: PLASTIC
SEAL MATERIAL: RUBBER
- 4. THIS PLUG MATES WITH DT04-2P-**** (**** = ALL MODIFICATION)
CONSULT FACTORY FOR MODIFICATIONS.

3. FOR CONTACTS AND WIRE PERFORMANCE AND APPLICATION CHARACTERISTICS,
SEE ENVELOPE DRAWINGS 0425-015-0000 AND 0425-017-0000.

2. ALL DIMENSIONS ARE ±.025 [0.64] UNLESS OTHERWISE SPECIFIED.

1. ALL DIMENSIONS ARE IN INCHES [MILLIMETERS].

NOTES:

CONTACT SIZE	MIN. INSUL. O.D.	MAX. INSUL. O.D.	WIRE RANGE [mm ²] REF ONLY
16	.088 [2.24]	.145 [3.68]	14-20 AWG [2.0-0.5]

SIGNATURE & DATE	
DR	A. MALAGON 8/30/05
CHK	Rmiller 9/13/05
PE	Jeffery 7/12/05
APPD	S. Beal 8/13/05
SCALE	NONE WT

2 WAY PLUG
-E004 MOD.
COLOR: BLACK
D.T. SERIES

ENVELOPE

CP	MATL. CODE
The Deutsch Company DEUTSCH I.P.D. 3850 INDUSTRIAL AVE. HEMET, CALIF. 92545	
B	DT06-2S-E004
DWG SIZE	CODE 17139 SHEET OF